



ALW-Liedgens

Installation and Operating Instructions

**Flow control devices
Type 500, 500e and Type 2000**





Installation and Operating Instructions

Safety Note

*General regulations in handling for under pressure standing devices.
By recognizable disturbances the device has to be set immediately out of operation.*

Installation

The flow controlling devices should be screwed with a flat steel behind the mounting plate. For this there are holes \varnothing 8,5mm in the mounting plates. The forerun- and deceleration-pipes which are placed at the back of the mounting plates can be connected with commercial red brass screw connections. For type 500 and 500e angle-hose-grommets can be delivered additionally.

With 8 automatic control loops - depending on the total run quantity - the second side of the fore- and deceleration-pipes should be connected additionally.

Hose Connectors

The Hose Connectors are placed on the front of the controlling devices.

The water forerun and deceleration are well marked with arrows on the mounting plate and the measuring housing.

Depending upon the model for type 500 the regulating valves and measuring housings have alternatively hose connectors \varnothing 10mm & \varnothing 12mm.

Depending upon the model for type 2000 the regulating valves and measuring housings have alternatively hose connectors \varnothing 14mm & \varnothing 19mm.



Installation and Operating Instructions

Commissioning

VA-Steel and Hostaformballs - depending on the model - and even capillary thermometers show in the measuring housings exactly reproducible values. Always open the deceleration regulating valve at the measuring housing first and completely by control devices with two regulating valves each measuring unit. Then adjust the setpoint of the Ballball balls with the forerun regulation valve. Therefor there is a Scale from 1-15 and a mark designed as an arrow, which is positioned after the adjustment, to reach an easy reset of the desired value after an interruption at the outside of the measuring housings. Only open the forerun regulation valve by type 500 model 500.3 & 500.4.

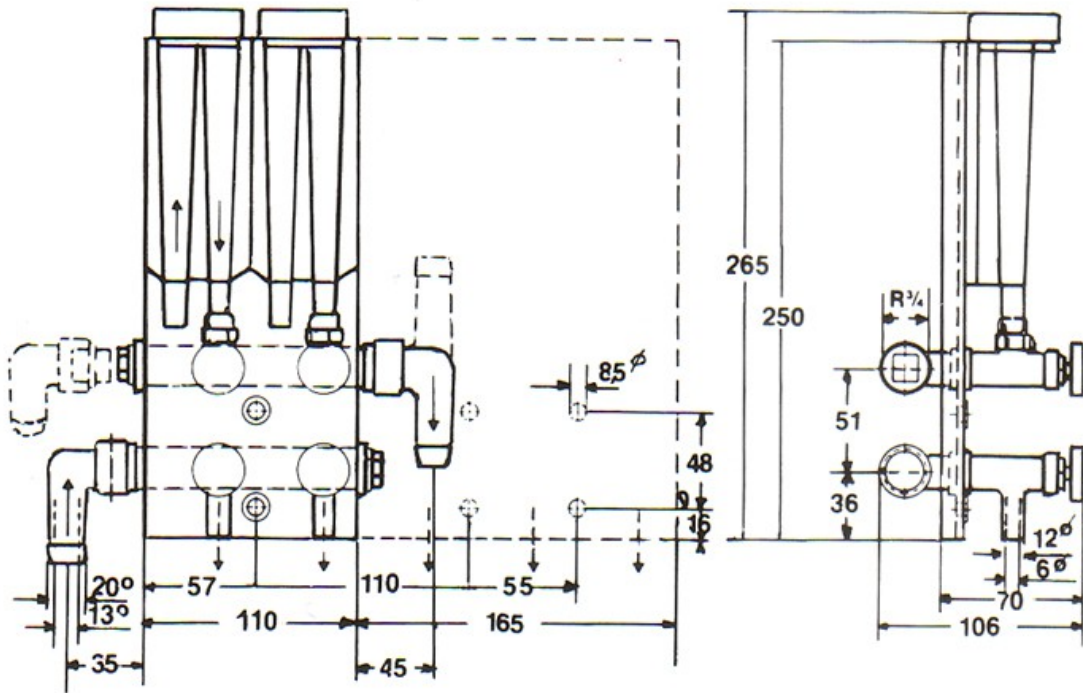
Cleaning

In the case of contamination these can be cleaned easily with the included cylinder brush. Therefore close the regulation valves and unscrew the cover of the measuring housing. Take off the orange colored side-hung insert and clean the measuring unit with the brush. After the cleaning of the side-hung insert put it back into the measuring housing and screw on the cover of the housing. Please pay attention to the correct position and cleanness of the seal ring in the cover of the housing.

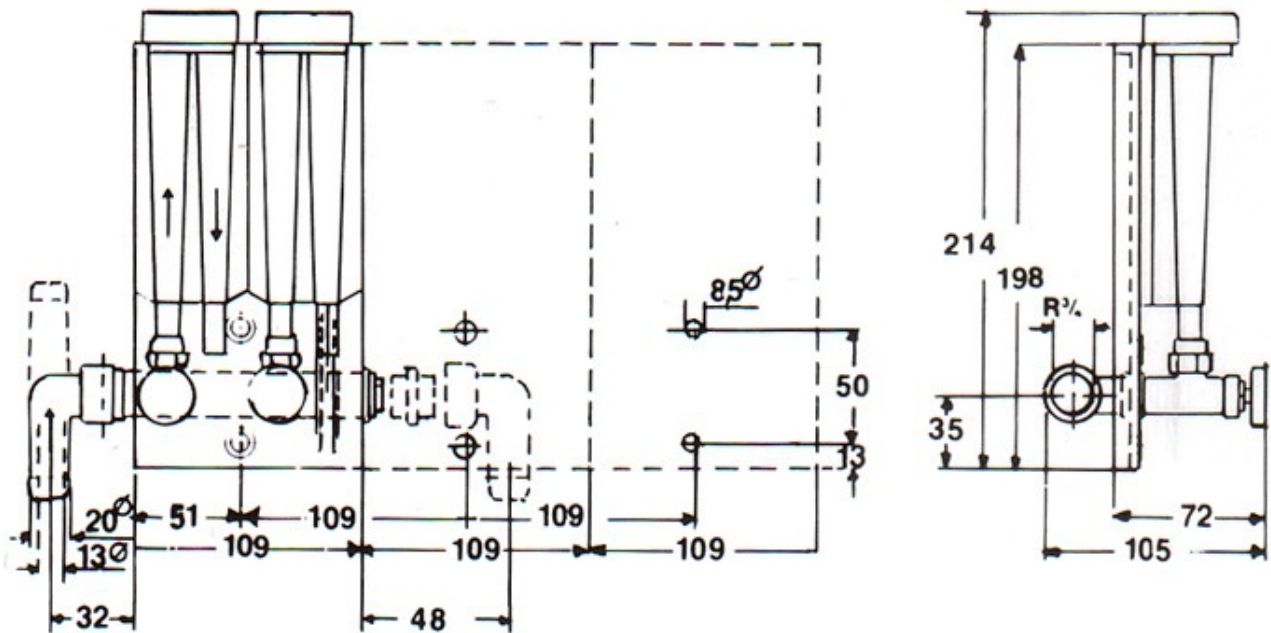
Only for type 2000:

The hand gears of the regulation valves can be stripped off by constant flow quantity for a longer duration to prevent adjusting which is not intended.

Technical information (Typ 500)

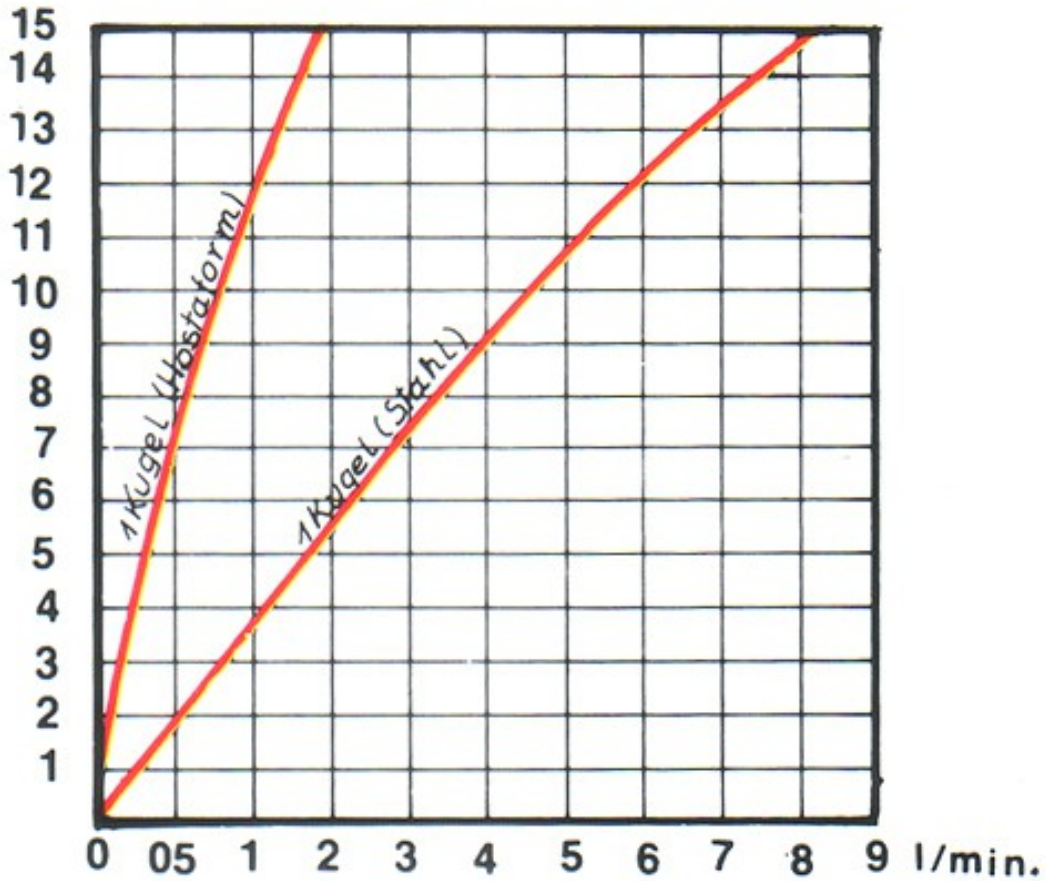


Dimensions Typ 500.3



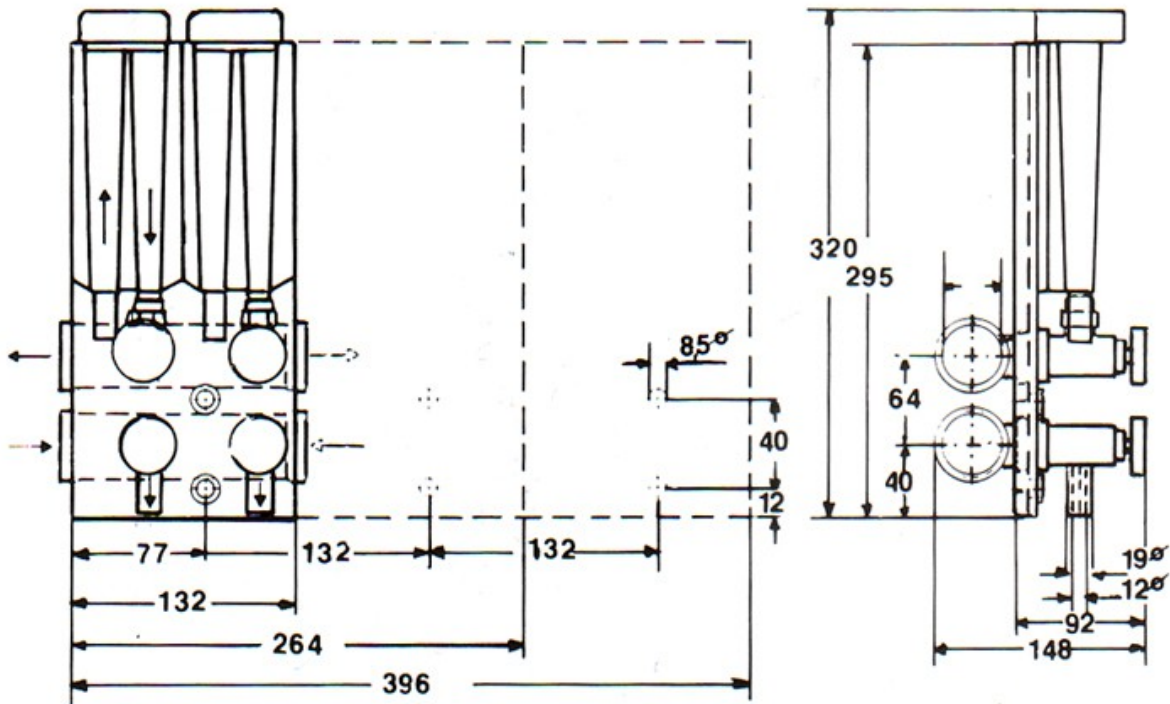
Dimensions Typ 500.4

Technical information (Typ 500)

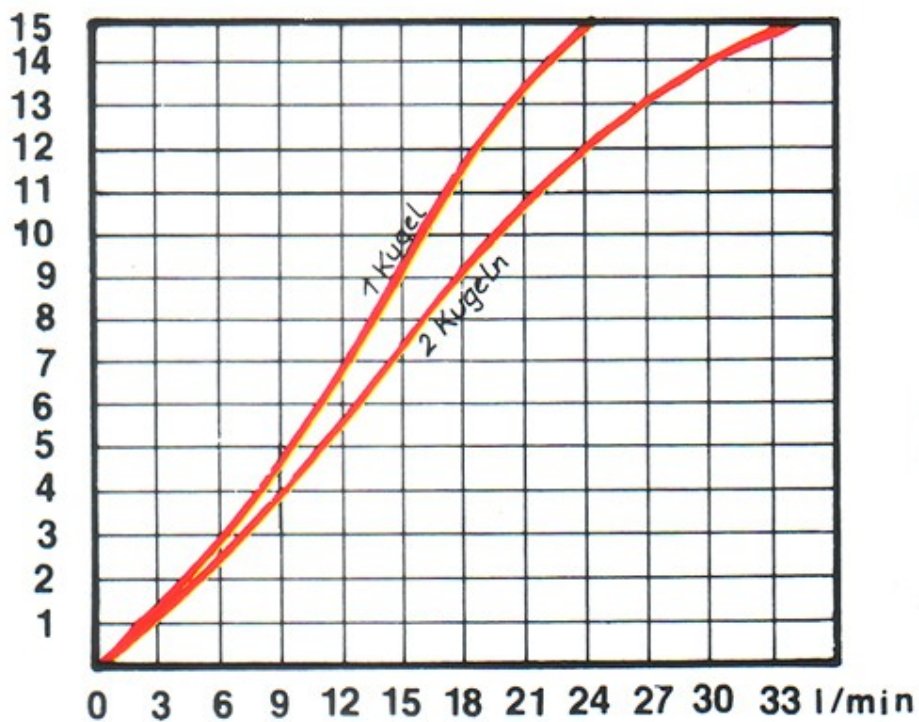


Flow Typ 500

Technical information (Typ 2000)



Dimensions Typ 2000



Flow Typ 2000